

tapflo®

ACTIVE PULSATION DAMPENERS

edition 2015 rev 1

The new
DT series



» All about your flow

www.tapflo.com

DT series

Active pulsation dampeners

The active pulsation dampener is the most efficient way to remove pressure variations on the discharge of the pump.

The Tapflo pulsation dampener works actively with compressed air and a diaphragm, automatically setting the correct pressure to minimise the pulsations.

AT 



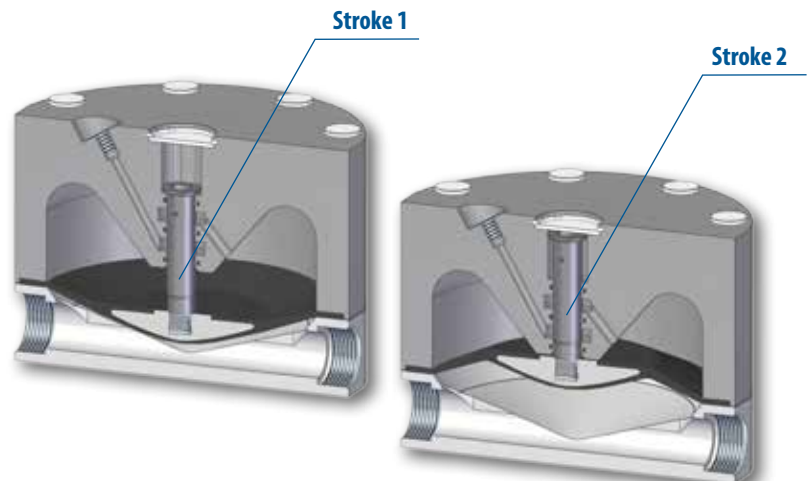
Explosion proof models are available

Certified according to directive 94/9/EC (ATEX), group II, cat 2, for use in EX-zone 1.

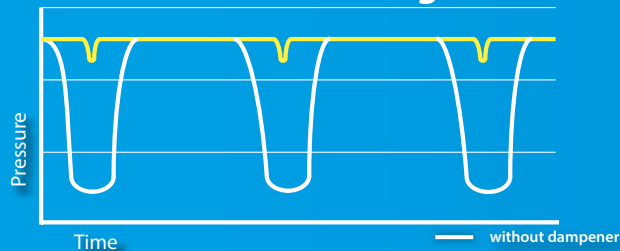
Contact us for information.

How it works

When the pressure in the piping system decreases, due to the pulsating nature of the pump operation, the pulsation dampener supplies extra pressure to the discharge between the pump strokes, therefore supplying a steady flow of pumped medium. This pumping action created by the dampener, decreases the pressure variations and pulsations.



■ Features when using the DT series pulsation dampener



The dampening effect

The pressure variation in a discharge line with and without a pulsation dampener.

- Minimized vibrations and water hammer effects
- Protection of all kinds of instruments in your pipe system
- Optimized pump performance and reduced maintenance costs

Options & accessories



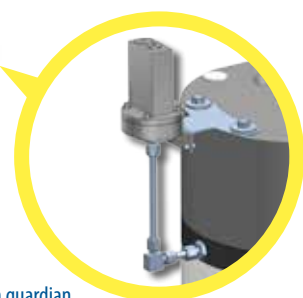
■ Pulsation dampener with stand



■ Pulsation dampener with pump



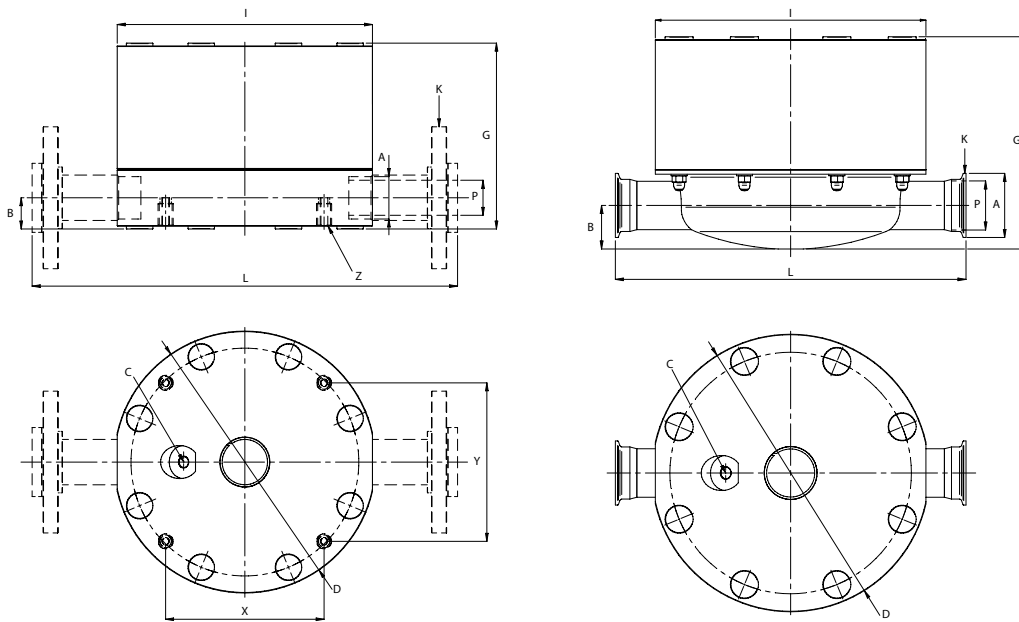
■ Pulsation dampener with guardian



DT series - Active pulsation dampeners - dimensions

PE, PTFE & aluminium dampeners

Stainless steel and sanitary dampener



Dimensions in mm (where other is not indicated) | Dimensions in inch (where other is not indicated)

DIMENSION	DAMPENER SIZE																				
	9/20	25	30	50	70	80	100	120	125	200	220	225	400	420	425	800	820	825			
A (BSP)	G 3/8"			G 1/2"		G 3/4"		G 1"			G 1 1/2"			G 2"			-	G 3 1/2"		-	
B	15/33 ¹	13	10,6	17/35 ¹	15,5	16,5	25,5/42,5 ¹	22,5	16,5	33/50 ²	30	43,5	40,5/58 ¹	38	46	92	90	19,3	0,76		
	0,59/1,3 ¹	0,51	0,42	0,67/1,38 ¹	0,61	0,65	1/1,67 ¹	0,89	0,65	1,3/1,97 ¹	1,18	1,71	1,59/2,28 ¹	1,50	1,81	3,62	3,54				
C	G 1/8"			G 1/4"		G 1/4"			G 1/4"			G 1/4"			G 1/4"			G 1/4"		-	
D	110			158		208			277			360			470			470		-	
	4,33			6,22		8,19			10,91			14,17			18,50			18,50		-	
G	85/103 ¹	81	78,5	109,5/129,5 ¹	105,5	117,5	144,5/161,5 ¹	141,5	135	200,5/217,5 ¹	197,5	216	244/261 ¹	241	256,5	394	392	330			
	3,35/4,06 ¹	3,19	3,09	4,31/5,1 ¹	4,15	4,63	5,69/6,36 ¹	5,57	5,31	7,89/8,56 ¹	7,78	8,50	9,61/10,28 ¹	9,49	10,10	15,51	15,43	12,99			
I	107			155		203			270			352			470			470		-	
	4,21			6,10		7,99			10,63			13,86			18,50			18,50		-	
K (BSP)	G 3/8"			G 1/2"		G 3/4"		G 1"			G 1 1/2"			G 2"			-	G 3 1/2"		-	
L	DIN & ANSI			235		285			375			450			550			700			-
	Flange			9,25		11,22			14,76			17,72			21,65			27,56			-
	BSP			107		155			203			270			352			470			-
	Other Connections ³			4,21		6,10			7,99			10,63			13,86			18,50			-
P (BSP)	G 3/8"			G 1/2"		G 3/4"		G 1"			G 1 1/2"			G 2"			-	G 3 1/2"		-	
X	36			90,3		113,8			167,6			226,3			297			297		-	
	1,42			3,56		4,48			6,60			8,91			11,69			11,69		-	
Y	86,8			100,3		135,6			167,6			226,3			297			297		-	
	3,42			3,95		5,34			6,60			8,99			11,69			11,69		-	
Z	M4x20	M4x17	-	M4x20	M4x17	-	M8x30/22 ¹	M8x25	-	M8x30/22 ¹	M8x25	-	M8x30/22 ¹	M8x25	-	M8x22 PTFE	M8x25	-			

- 1 PE / PTFE
- 2 ALU / SS
- 3 ISO 2852, DIN 11851, SMS1145, BS 4825 (RTJ)
- * Dimensions for other connections in IOM Manual p. 17

Dampener code

The details, specification, size and materials of the major components.

For Tapflo pump size (l/min)

PD - Tapflo active pulsation dampener

DT X 50

Basic options:
X = ATEX approved, group II, cat 2

Material of diaphragm:
E = EPDM
B = PTFE 1705B (solvents)
W = White (food grade) EPDM
N = NBR (nitrile rubber)
T = PTFE
Z = PTFE with white back

Material of wetted dampener housing:
A = aluminium
P = polyethylene
S = stainless steel AISI 316L
T = PTFE

Special executions*:
3 = Optional connections
5 = Other special executions*
6 = Optional material damper block
9 = Optional material housing screws
11 = Housing reinforcement plate

P T - 3APL

* = Ask us for complete pump code with all available options and executions. Changes reserved without notice

TAPFLO AB

Sweden

Filaregatan 4 | S-442 34 Kungälv

Tel: +46 303 63390

Fax: +46 303 19916

E-mail addresses:

Commercial questions: sales@tapflo.com

Orders: order@tapflo.com

Tech support: support@tapflo.com

Tapflo products and services are available in 64 countries on 6 continents.

Tapflo is represented worldwide by own Tapflo Group Companies and carefully selected distributors assuring highest Tapflo service quality for our customers' convenience.

AUSTRALIA | AUSTRIA | AZERBAIJAN | BELARUS | BELGIUM | BOSNIA | BRAZIL | BULGARIA | CHILE | CHINA | COLOMBIA | CROATIA | CZECH REPUBLIC | DENMARK | ECUADOR | ESTONIA | FINLAND | FRANCE | GREECE | GEORGIA | GERMANY | HONG-KONG | HUNGARY | INDIA | INDONESIA | IRAN | IRELAND | ISRAEL | ITALY | JAPAN | KAZAKHSTAN | LATVIA | LITHUANIA | MACEDONIA | MALAYSIA | MEXICO | MONTENEGRO | THE NETHERLANDS | NEW ZEALAND | NORWAY | POLAND | PORTUGAL | PHILIPPINES | ROMANIA | RUSSIA | SERBIA | SINGAPORE | SLOVAKIA | SLOVENIA | SOUTH AFRICA | SOUTH KOREA | SPAIN | SWEDEN | SWITZERLAND | SYRIA | TAIWAN | THAILAND | TURKEY | UKRAINE | UNITED ARAB EMIRATES | UNITED KINGDOM | USA | UZBEKISTAN | VIETNAM

Tapflo Group Companies

Austria Tapflo Austria Tel: +43 732 27292910 sales@tapflo.at	China Tapflo (Wuxi) Tel: +86 510 8241 7602 sales@tapflo.cn	Japan Tapflo Japan K.K. Tel: +81-3-6240-3510 tapflojp@tapflo.co.jp	Slovenia Tapflo GmbH Tel: +386 68 613 474 sales@tapflo.hr
Azerbaijan Tapflo Azerbaijan LLC Tel: +994 502660799 sales@tapflo.az	Denmark Tapflo Danmark Tel: +45 36 454600 info@tapflo.dk	Kazakhstan Tapflo Kazakstan Tel: +7 727 3278347 sales@tapflo.kz	Spain Tapflo Iberica Tel: +34 91 8093182 avives@tapfloiberica.es
Baltic States Tapflo Latvia Tel: +371 67472205 riga@tapflo.lv	France Tapflo France Tel: +33 1 34 78 82 40 info@tapflo.fr	Poland Tapflo Sp. z o.o. Tel: +48 58 530 42 00 export@tapflo.pl	South Africa Tapflo (Pty) Ltd Tel: +27 31 701 5255 sales@tapflo.co.za
Belarus Tapflo Belarus Tel: +375 17 3934609 sales@tapflo.by	Georgia Tapflo Georgia Tel: +995 577 463010 sales@tapflo.ge	Romania S.C. Tapflo Rom. S.r.l. Tel: +40 21 3451255 sales@tapflo.ro	Turkey Tapflo Makina Ltd Tel: +90 216 467 33 11 sales@tapflo.com.tr
Bulgaria Tapflo EOOD Tel: +359 (0)2 974 18 54 sofia@tapflo.org	India Tapflo Fluid Handling India Pvt Ltd Tel: +91 20 65000215 ad@tapflo.in	Russia Tapflo Company Tel: +7 495 232 18 28 sales@tapflo.com.ru	Ukraine TOB Tapflo Tel: +380 44 222 68 44 sales@tapflo.com.ua
Croatia Tapflo GmbH Tel: +385 91 4884 666 sales@tapflo.hr	Ireland Tapflo Ireland Ltd Tel: +353 1 2011911 info@tapflo.ie	Serbia Tapflo d.o.o. Tel: +381 21 44 58 08 sales@tapflo.rs	Uzbekistan Tapflo Uzbekistan Tel: +998 712370940 sales@tapflo.uz
Czech Republic Tapflo s.r.o. Tel: +420 513 033 924 tapflo@tapflo.cz	Italy Tapflo Italia Tel: +39 0362307698 info@tapfloitalia.com	Slovakia Tapflo s.r.o. +421 911 137 883 tapflo@tapflo.sk	United Kingdom Tapflo (UK) Ltd Tel: +44 2380 252325 sales@tapflo pumps.co.uk